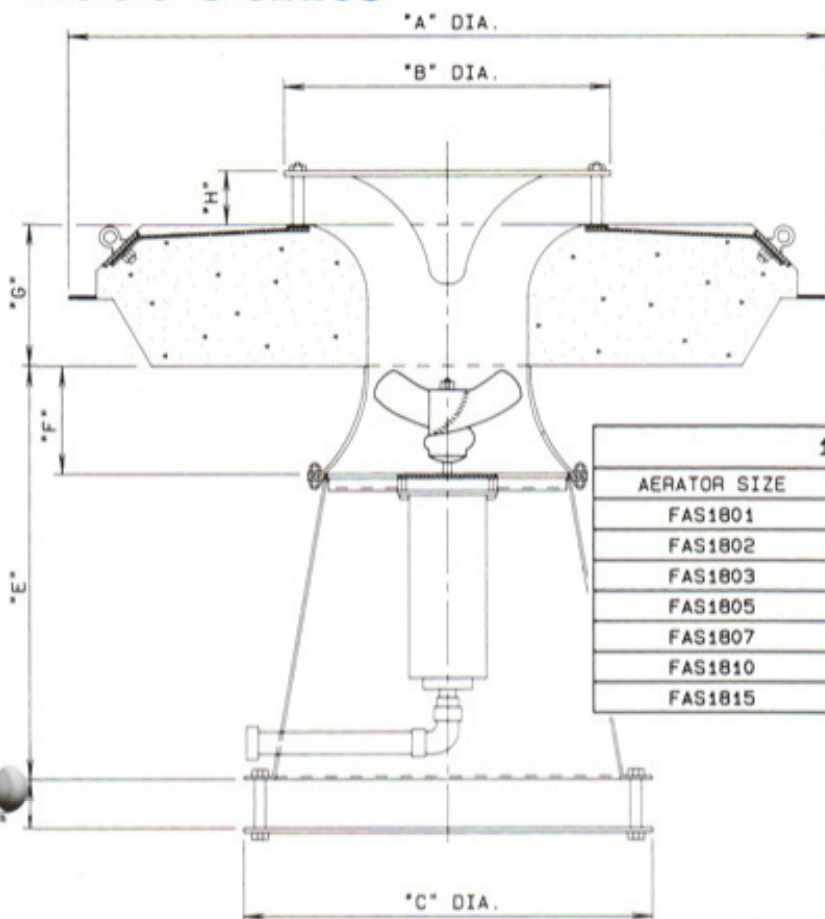


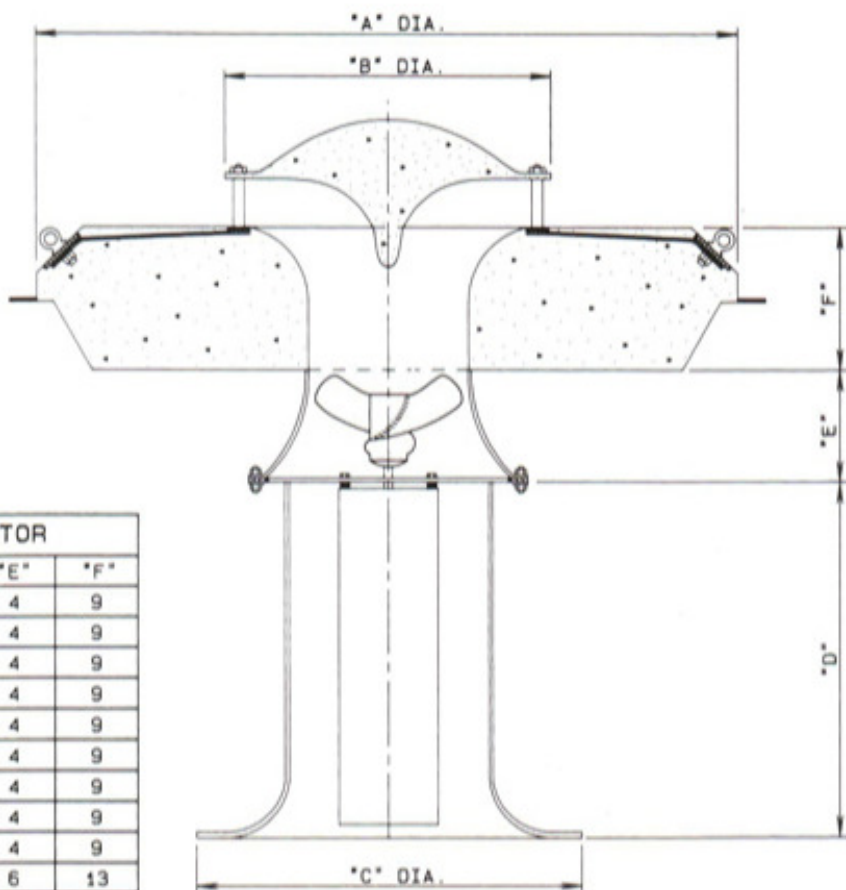
Submersible Motor Aerators

1800 Series



1800 RPM SUBMERSIBLE MOTOR AERATOR									
AERATOR SIZE	HP	*A*	*B*	*C*	*D*	*E*	*F*	*G*	*H*
FAS1801	1	60	24	34	6	24	8	12 1/2	3
FAS1802	2	60	24	34	6	24	8	12 1/2	3
FAS1803	3	60	24	34	6	24	8	12 1/2	3
FAS1805	5	60	24	34	6	24	8	12 1/2	4
FAS1807	7 1/2	60	24	34	6	22	6	14	4
FAS1810	10	72	24	34	6	22	6	14	5
FAS1815	15	72	24	34	6	22	6	14	5

3450 Series



3450 RPM SUBMERSIBLE MOTOR AERATOR							
AERATOR SIZE	HP	*A*	*B*	*C*	*D*	*E*	*F*
FAS3613	1/3	36	16	28	22	4	9
FAS3650	1/2	36	16	28	22	4	9
FAS3675	3/4	36	16	28	22	4	9
FAS3601	1	36	16	28	22	4	9
FAS3615	1 1/2	36	16	28	22	4	9
FAS3602	2	36	16	28	22	4	9
FAS3603	3	36	16	28	22	4	9
FAS3605	5	36	16	28	26	4	9
FAS3607	7 1/2	36	16	28	26	4	9
FAS3610	10	38	24	28	26	6	13