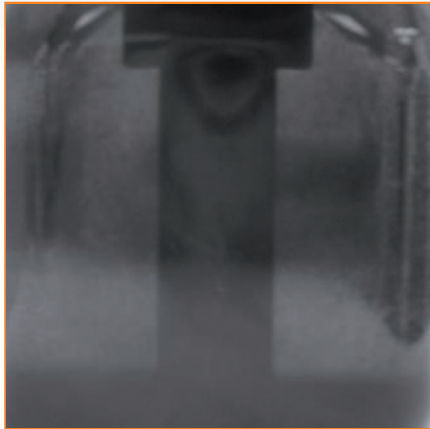


For all heating and cooling closed-loop systems

FERROCLEAN

Wash-Down / Rinse-Out Sludge Separator



Before: Iron sludge contaminated circulation water



After: inserting the high-performance earth magnet rod assembly into the protective special coated sleeve, all the sludge (magnetite) is retained and trapped on the protective sleeve until a Wash-Down / Rinse-out is performed.

Iron Sludge also known as **Magnetite** create detrimental and negative conditions in heating and cooling closed-loop systems which directly results in the malfunction and break-down of pipes, fittings, valves, regulators, pumps, controls, boilers and other mechanical equipment by drastically increasing wear and tear, corrosion and sludge build-up.

The consequences of Iron Sludge impurities, over the years, has proven without a doubt not only to have a great negative impact on mechanical equipment components but it also dilutes the chemical water treatment program of your system, rendering it less effective. Iron Sludge also significantly decreases the efficiency of your boilers by coating the heat transfer elements, thus requiring more energy to radiate and maintain the required temperatures.

A Closed-Loop system with its intrinsic/circulation **sludge-free water/fluid** maintains its ability to radiate temperatures for longer periods of time, thus resulting in the use of less energy.

The Solution:

The JUDO FERROCLEAN traps and retains all magnetite Iron Sludge by the use of special high-performance earth magnet rod assemblies incased in protective sleeves. The Iron Sludge is then removed from the JUDO FERROCLEAN Sludge Separator by simply performing a periodic Wash-Down / Rinse-Out flushing procedure.

The Wash-Down / Rinse-Out procedure for the JUDO FERROCLEAN can be performed by way of the intrinsic / circulation water OR by the use of an external water supply via the integrated raw water connection valve.



When in operation the special earth magnet rod assemblies are incased in the protective sleeves; during the Wash-Down / Rinse-Out procedure these special earth magnet rod assemblies are deactivated by simply removing them from the protective sleeves. The special high-performance earth magnet rod assemblies are naturally charged and the JUDO FERROCLEAN does not require the use of any electricity or power source.

The JUDO FERROCLEAN is also equipped with an integrated magnesium anode rod that binds any oxygen which is present in the intrinsic / circulation water on the spot, with no depositing effects. This anode rod is the only part of the JUDO FERROCLEAN which would require replacement in relation to the amount of oxygen present





The JUDO FERROCLEAN can be installed inline or in a side-stream application with the flow rates never to exceed the maximum flow rates indicated on the technical data specifications to the corresponding pipe sizes.

Scope of Delivery

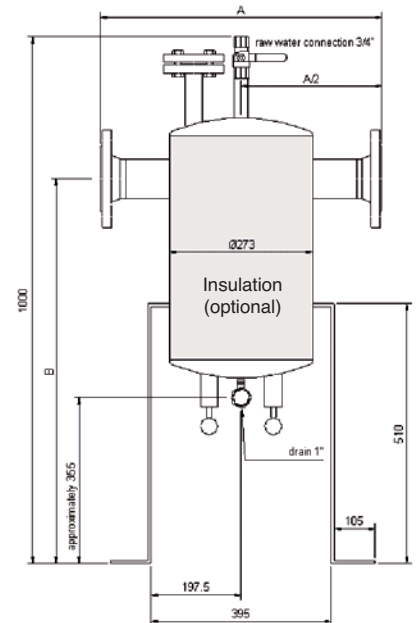
- ◆ Welded high-grade steel vessel with flanges
- ◆ Floor mounting supports
- ◆ 4 high performance earth magnet rod assemblies
- ◆ 4 special coated protective sleeves
- ◆ 1 magnesium anode rod
- ◆ 1 raw water connection valve 3/4",
- ◆ 1 drain/discharge valve 1"

Type JFS-H max. water temperature 120 degree Celsius.

Type JFS-K for application in cooling systems with water temperature above 6 degrees Celsius, the high-performance earth magnet rod assemblies are designed and equipped with a special coating against condensation.

Important notes:

Wash-Down / Rinse-Out Procedure Recommendations;
 When performed with the intrinsic / circulation water, a valve is to be installed on the outlet side of the JUDO FERROCLEAN and it is to be in the closed position during this procedure to ensure that the Iron Sludge is not released back into the closed-loop system fluid.
 When performed with an external raw water supply a valve must be installed on both the inlet and outlet of the JUDO FERROCLEAN and are both to be in the closed position during this procedure.
 These Procedures are to be followed by competent and qualified personnel to ensure that the integrity and operation of the heating and/or cooling system is never compromised.



Technical data

Size	2 1/2" / DN 65 (65 mm)		3" / DN 80 (80 mm)		4" / DN 100 (100 mm)		5" / DN 125 (125 mm)		6" / DN 150 (150 mm)		8" / DN 200 (200 mm)	
Flow rate	52 gpm	12 m ³ /h	74 gpm	17 m ³ /h	132 gpm	30 m ³ /h	220 gpm	50 m ³ /h	352 gpm	80 m ³ /h	572 gpm	130 m ³ /h
Pressure loss	0.02 psi		0.03 psi		0.04 psi		0.05 psi		0.06 psi		0.08 psi	
Max. flow pressure	150 psi	1034 kPa	150 psi	1034 kPa	150 psi	1034 kPa	150 psi	1034 kPa	150 psi	1034 kPa	150 psi	1034 kPa
Dimensions	A	B	A	B	A	B	A	B	A	B	A	B
	535 mm	730 mm	545 mm	720 mm	545 mm	708 mm	555 mm	695 mm	555 mm	681 mm	575 mm	655 mm
Weight	42 kg		46 kg		48 kg		52 kg		58 kg		62 kg	
Order No. Hot water	8055070		8055071		8055072		8055073		8055074		8055075	
Order No. Cold water	8055076		8055077		8055078		8055079		8055080		8055081	



JUDO Water Treatment Inc.
 2060 Steeles Ave. West, Unit #4
 Concord, Ontario L4K 2V1
 Tel. (905) 761-1555
 Fax (905) 761-3335
 e-mail: service@judo-online.com
www.judo-online.com